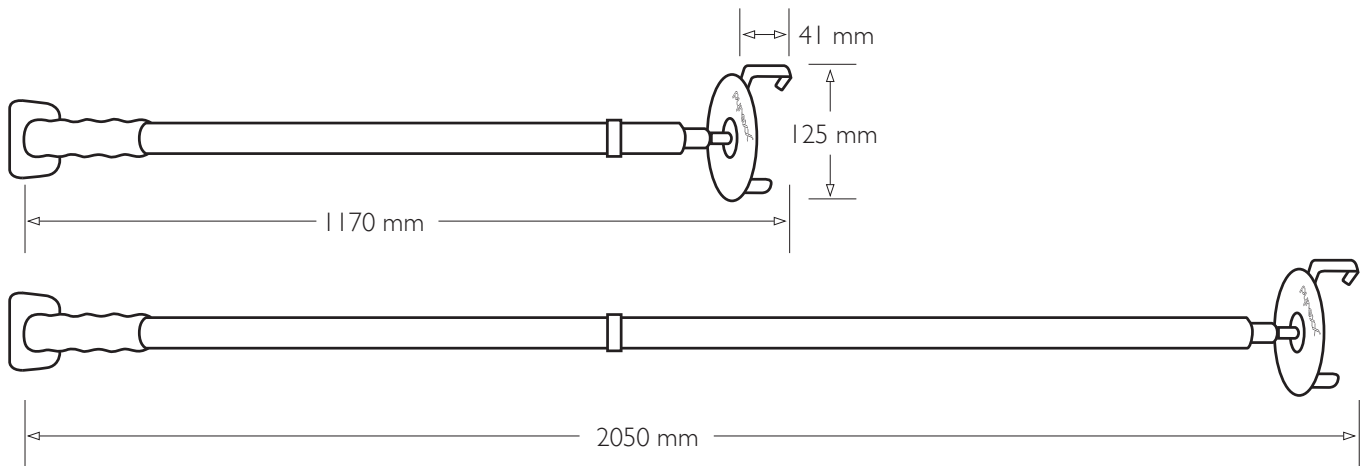


Technical Specifications



Mounting Rod with Claw Holder for PX-I and PX-IC



Application	For simplified installation of Pyrex smoke alarm devices without using a ladder
Length (telescopic rod retracted)	1150 mm
Length (telescopic rod extended)	2050 mm
Product Dimensions (ØxH) Claw Holder	125 x 41 mm
Weight	approx. 700 g
Colour	Silver/Black
Material	Aluminium/stainless steel

Subject to modifications / Issue of data sheet: 2017-11 / k_191708